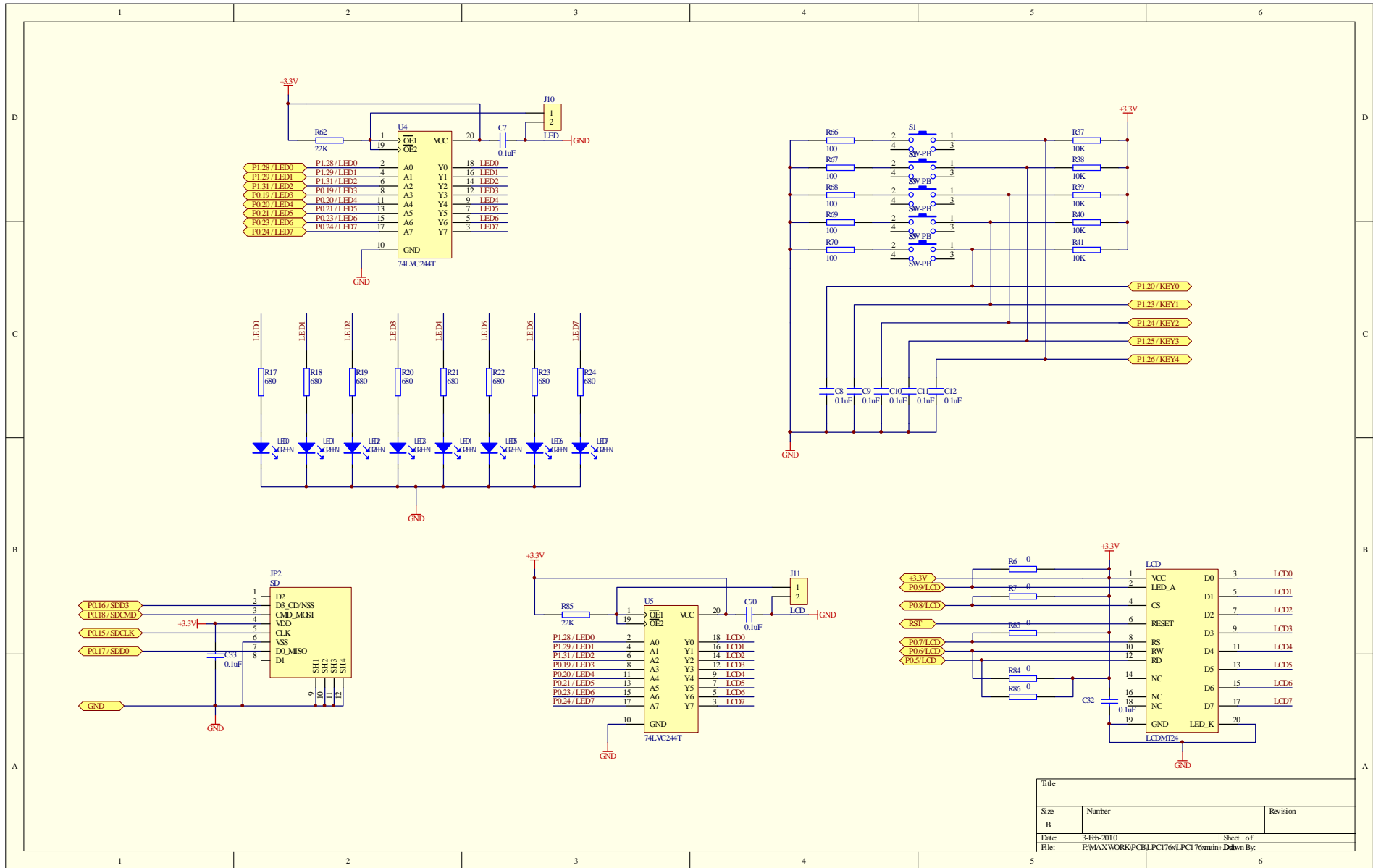
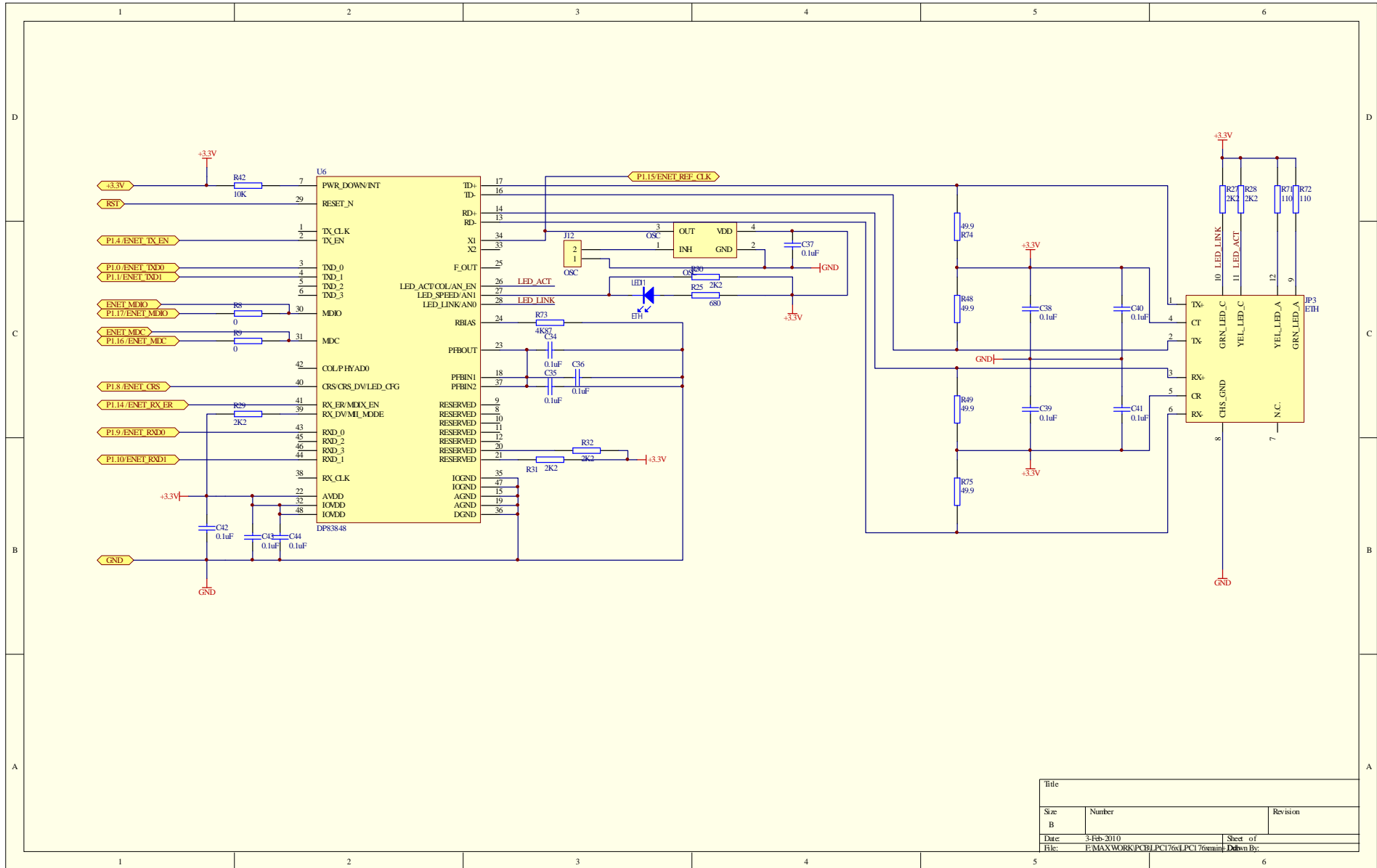
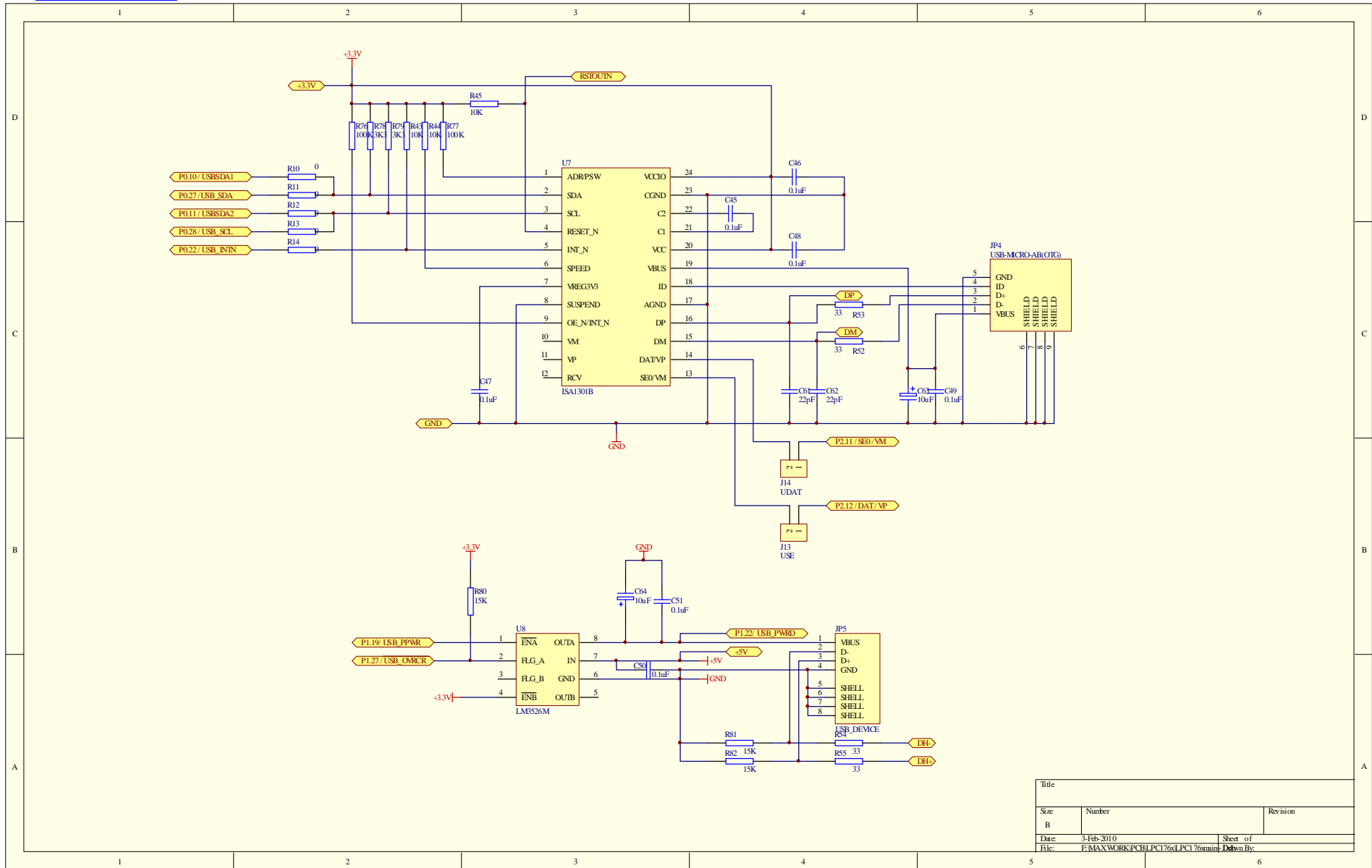


Title		
Size:	Number:	Revision:
B		
Date:	3-Feb-2010	Sheet of
File:	F:\MAX\WORK\PCB\LPC176x\LPC1769mm1.Ddwhn	By:

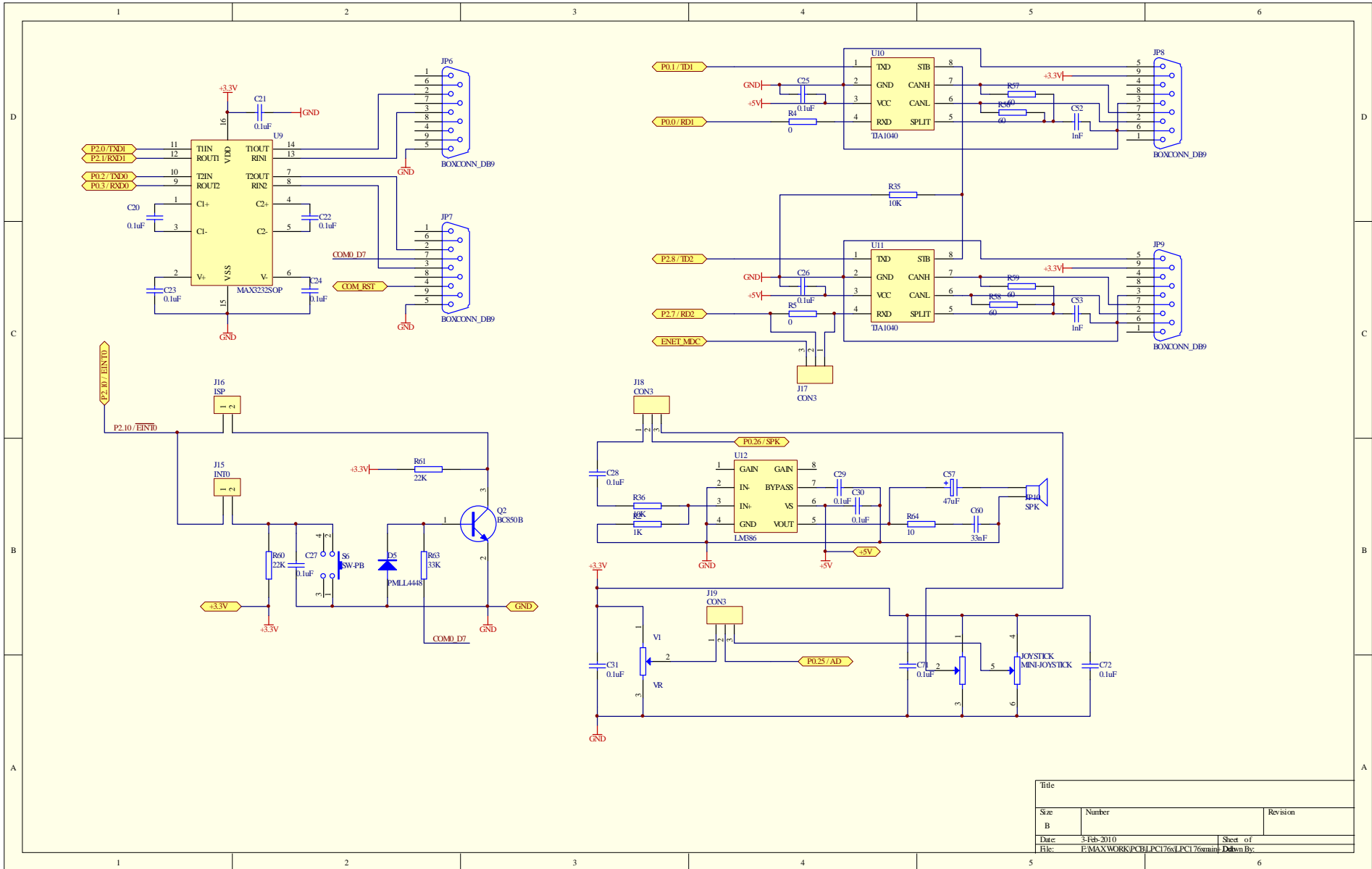




Title		
Size	Number	Revision
B		
Date:	3-Feb-2010	Sheet of
File:	E:\MAXWORK\PCB\LPC176x\LPC1769mm1	Drawn By:



Title		
Size	Number	Revision
B		
Date	3-Feb-2010	Sheet of
File:	E:\MAXWORK\PCB\LPC176x\LPC1769mm1	Drawn By:



Title		
Size	Number	Revision
B		
Date	3-Feb-2010	Sheet of
File:	E:\MAX\WORK\PCB\LPC1114\PC1176sm\lpc1114.dsn	

